

INSTALLATION INSTRUCTIONS



Stratus Highbay

54-113884-00A

NOTE:

This fixture is intended for installation in accordance with the National Electric Code and local code specifications. Failure to adhere to these codes and instructions may result in serious injury and/or damage to fixture, voiding the warranty. These instructions do not purport to cover all details or variations in equipment, nor to provide for every possible contingency related to installation, operation, maintenance, or mounting. Should specific problems occur that are not addressed by these instructions, contact your local sales representative or distributor for assistance. Retain these instructions for future reference.



INSTRUCTIONS PERTAINING TO THE RISK OF FIRE OR INJURY TO PERSONS:

Lighted fixture is hot. To reduce risk of injury to persons, turn off or disconnect fixture and allow to cool before handling. Luminaire must be grounded in accordance with appropriate codes. Failure to do so may result in serious injury or death. Be sure all power is off prior to installing luminaire. Maximum fixture weight is ~50 pounds for largest version.

Stratus Mounting

Requirements:

- A. Secure luminaire using ¼-20 male studs on the back side of the fixture (Figure 1). Customer to provide proper hardware to support the weight of the fixture, <50lbs.

A. Mounting bracket example:

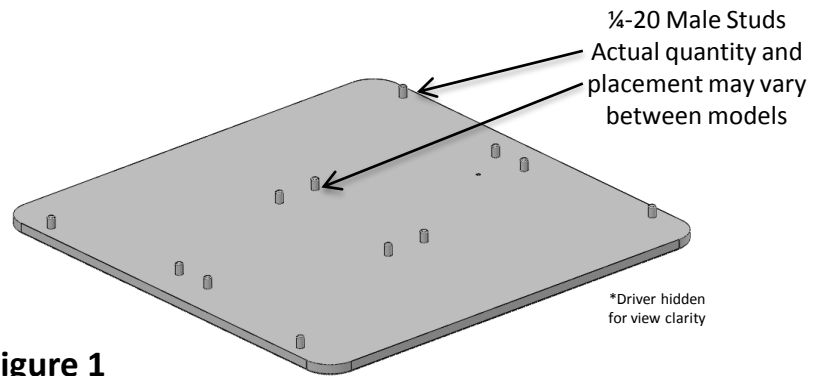
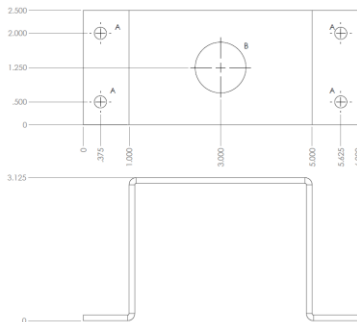
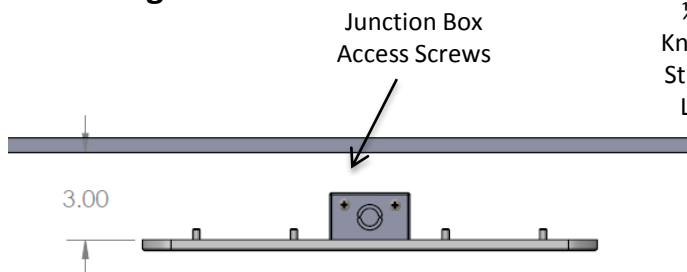


Figure 1

- B. Attach cable hangers to ¼-20 male studs. Cable hanger: e.g. "Gripple 90deg Eyelet"
- B. Ensure 3" of clearance from the back side of the fixture to any mounting surface (Figure 2).
- C. Use strain-relief on inside of junction box when making field wiring connections (Figure 3).

*Customer provided strain-relief must be suitable to field wiring type being connected. Strain-relief must be sized to accept: .125-.5" diameter cable, or Qty=3 or 5, .0625-.125" Dia cable depending of type of field wiring.

Figure 2



½" & ¾"
Knockouts –
Strain-relief
Location

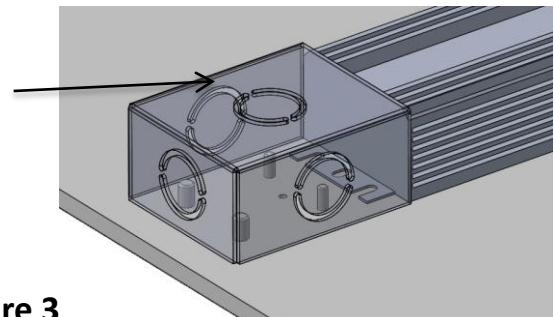


Figure 3

INSTALLATION INSTRUCTIONS



Stratus Highbay

54-113884-00A



NOTE:

This fixture is intended for installation in accordance with the National Electric Code and local code specifications. Failure to adhere to these codes and instructions may result in serious injury and/or damage to fixture, voiding the warranty. These instructions do not purport to cover all details or variations in equipment, nor to provide for every possible contingency related to installation, operation, maintenance, or mounting. Should specific problems occur that are not addressed by these instructions, contact your local sales representative or distributor for assistance. Retain these instructions for future reference.



INSTRUCTIONS PERTAINING TO THE RISK OF FIRE OR INJURY TO PERSONS:

Lighted fixture is hot. To reduce risk of injury to persons, turn off or disconnect fixture and allow to cool before handling. Luminaire must be grounded in accordance with appropriate codes. Failure to do so may result in serious injury or death. Be sure all power is off prior to installing luminaire. Maximum fixture weight is ~50 pounds for largest version.

Stratus Wiring Instructions

The following instructions are for wiring the standard Stratus to a 120~277VAC 50/60 Hz or 347~480VAC 50/60 Hz input and should be done by a qualified Electrician:

1. The standard Stratus has three ~5" 18AWG wires coming from the driver (five wires with optional dimming). These wires can be connected directly to field wiring in the junction box for ease of inspection in accordance with NEC best practice. The junction box can be removed using a Philips screwdriver.
2. Be sure that the wires are not used for hanging the fixture while making connections.
3. Wire the power and dimming (optional) input wires to the corresponding line voltage and dimming controller (not included).

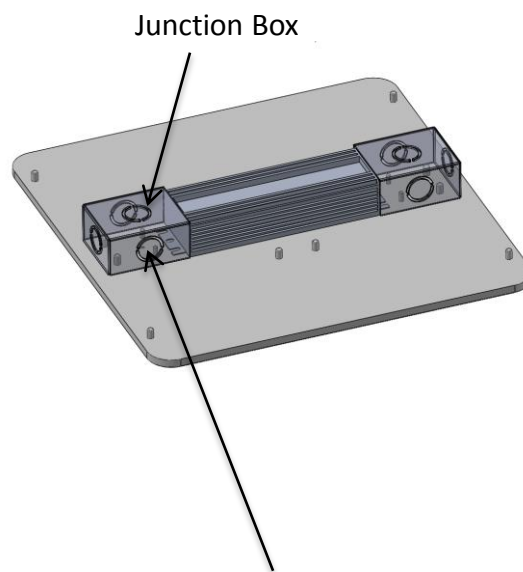
Power Input

1. Black = 120~277/347~480 Line Voltage
2. White = Neutral/Common
3. Green = Ground


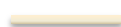

0-10VDC Dimming (Optional)

4. Purple (Positive)
5. Gray (Negative)

4. Care should be taken to avoid pinching wires and to assure that the field wiring is properly strained relieved according to NEC best practices.



Power Input

-  Black = 120~277/347~480 VAC Line
-  White = Neutral/Common
-  Green = Ground

0-10V Dimming (Optional)

-  Purple (Positive)
-  Gray (Negative)