

# STRATUS™ HIGH BAY SQUARE

## HIGH EFFICIENCY

### Electrical Specifications

Class 1, 700mA LED driver is mounted directly to the back of the fixture. Input voltage options include 120-277VAC, 50/60Hz auto-sensing. Total harmonic distortion is below 20% and driver power factor is 0.90.

### LEDs

Stratus utilizes Lumileds Luxen Gen's technology, which delivers 65% of all lumens within the 50° beam angle. Color temperature options include 5000K CCT. LED packages offer an IP66 ingress protection rating against the intrusion of dust and moisture. Optic material is glass, that is highly heat and chemical resistant and offers excellent transmission and clarity.

### Finish

Fixture finish is a high-performance Tiger Drylac® Super Durable powder coating suitable for both interior and exterior applications. The Super Durable finish has excellent UV stability and weather resistance.

### Testing and Compliance

- 50,000-hour life to L70 @ 40°C ambient temperature
- -35°C to 55°C operating temperature range
- IP66 ingress protection rating
- ETL/cETL Listed
- RoHS compliant
- 5-year warranty

## FEATURES & SPECIFICATIONS

### General Description

The Stratus™ LED high bay is an ideal light fixture choice for applications including warehouses, manufacturing facilities, school gymnasiums, auditoriums, cafeterias, high ceiling retail, airports and other areas with demanding environments.

### Mechanical Construction

The body of the Stratus™ is constructed of precision CNC-machined, solid aluminum plate. LEDs and wiring are embedded into the fixture body and protected with two-part silicone potting to provide an IP66 rating on the LED side of the fixture. Formed and anodized aluminum wiring covers protect wiring connections to driver. Stainless steel hardware is used throughout. The Stratus™ mounting rigid is a conduit, with 10 ft power cord. Pendant mounting kit accessories including chain and aircraft cable are also available (order separately).



## PART NUMBER ORDERING GUIDE

SERIES	BEAM ANGLE	# OF LEDs	COLOR TEMP (CCT)	VOLTAGE	FINISH <sup>2</sup>	DIMMING	MOUNTING & POWER FEED	OPTIONS	HE
SHB = Stratus High Bay	150 = 150° Square	8 = 8 LEDs (square)	GW = 5000K (80 CRI)	U = 120-277VAC	WH = White	N = Non-Dimmable	C10 = 10-ft Power Cord <sup>1</sup> (includes RC)	F= NSF S1 = OCCUPANCY <sup>2</sup> SENSOR	HE = HIGH EFFICIENCY

Notes:

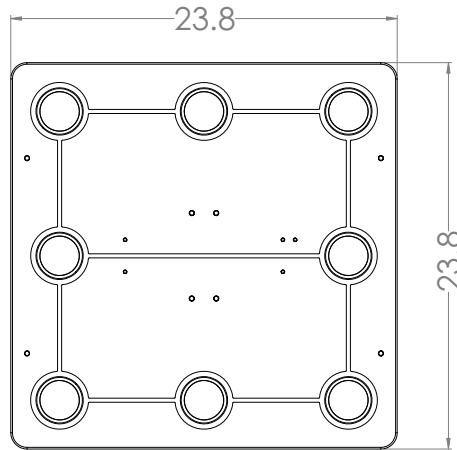
1. C10 mounting options have a 10-ft, 3-conductor SO Cord with no plug.

2. S1 occupancy sensor comes with masking labels for aisle and end-aisle applications.

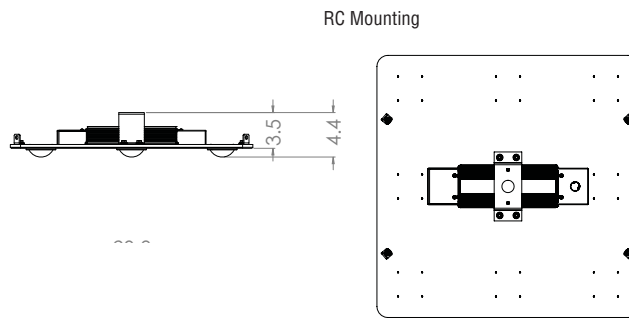
# STRATUS™ HIGH BAY (SQUARE)

HIGH EFFICIENCY

## DIMENSION LINE DRAWINGS



## MOUNTING LINE DRAWINGS



(standard with leads in box for contractor power connection)

## LUMINAIRE PERFORMANCE

Series	Input Watts (W)	Lumens (5000°K)	Lumens/Watt (5000°K)	Dimensions (in)	Weight (lbs)
SHB1508	151.4	16,887	111.5	23.8 x 23.8	25.2

## ACCESSORIES (Field installed - order separately)

Cat Logic	Description	Cat Logic	Description
ACT-5	5FT Aircraft Cable Hangers (2) with toggle end connectors	ACH-5	5FT Aircraft Cable Hangers (2) with captive hook end connectors
ACT-10	10FT Aircraft Cable Hangers (2) with toggle end connectors	ACH-10	10FT Aircraft Cable Hangers (2) with captive hook end connectors