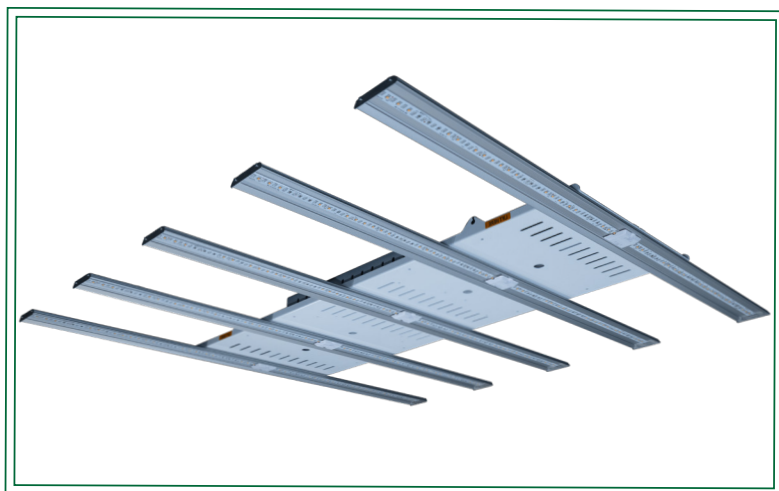


NEOPAR® 5

ULTRA-SLIM DESIGN FOR VEGETATION



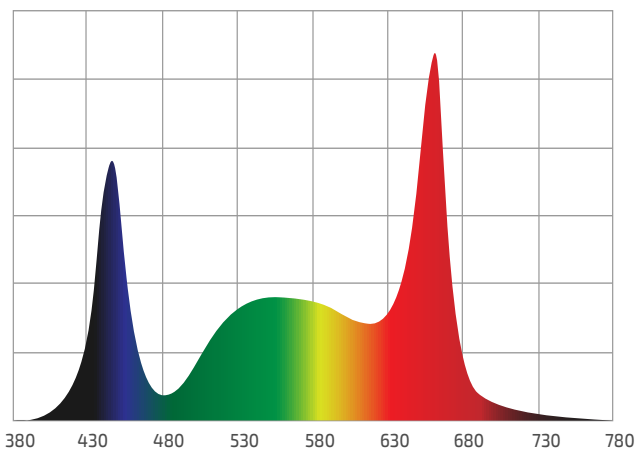
The NeoPAR® is ideal for vertical rack and low mounting height applications. It's designed to deliver high levels of photosynthetic photon flux (PPF) to produce quality flowering. With the thinnest profile available with an onboard power pack, NeoPAR® delivers unsurpassed light uniformity for wet locations.

The NeoPAR® is offered in two power levels to meet a variety of needs in grow operations. Whether the priority is high output for crops requiring a ton of light or maximize efficiency for energy restriction or rebates, there is a solution. Now with 10kV surge protection device available.

GENERAL SPECIFICATION

Spectrum	X6_Full Spectrum
Weight	25 lb
Ambient Temp.	4 - 104 °F / -20 - 40 °C
Certificates	cETL, RoHS, WET Location Rated
Lifetime	Q (L)90: 68,300hrs
Warranty	5 Years

X6_FULL SPECTRUM



STANDARD SPECIFICATION

PPF	670
Power	300W
Efficacy	2.23 $\mu\text{mol}/\text{J}$
Voltage	120-480V

EFFICIENCY SPECIFICATION

PPF	320
Power	136W
Efficacy	2.35 $\mu\text{mol}/\text{J}$
Voltage	120-480V



AMPERAGE & DAISY CHAIN BY VOLTAGE

Volt (V)	# of Fixtures that Can be Daisy-Chained (Standard)	Amp (A)_Standard	Amp (A)_Efficiency
120	4	2.61	1.15
208	7	1.47	0.69
240	8	1.28	0.62
277	9	1.12	0.57
347	11	0.91	0.43
480	14	0.67	0.34

PART NUMBER ORDERING GUIDE

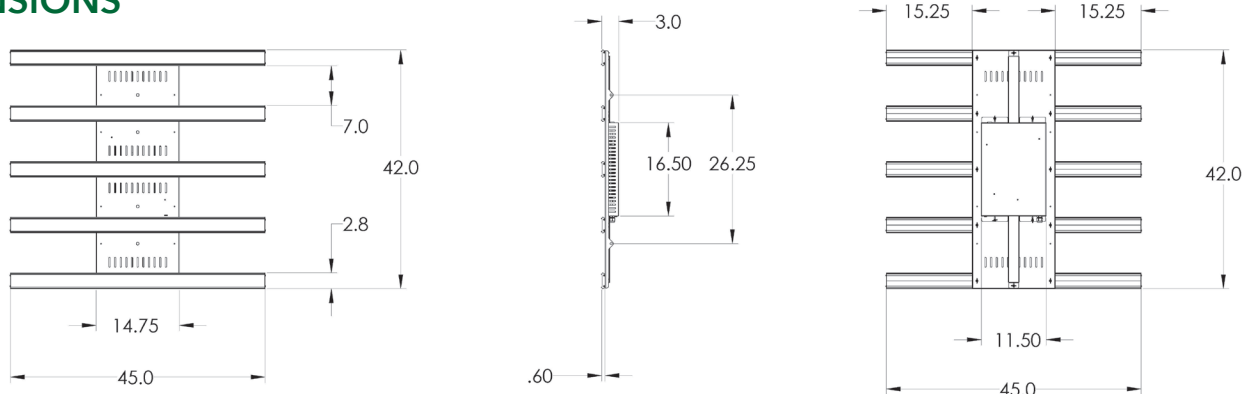
Series	# of Bars	Output	Beam Angle	Lens/IP	Spectrum	Voltage
DHW	5	S Standard E Efficiency	12 120° Beam	NL No Lens C11 Short-Range Camera C12 Medium-Range Camera C13 Long-Range Camera	X6 Full	U 120-277 H 277-480

Dim	Finish	Cord Length	Plug	Surge Protection (10kV) *Voltage option below
D 0-10	WH White	10 10ft DC Daisy Chain (optional)	Blank Flying leads, no plug P120 120VAC, 3-prong plug (Optional) P240 240VAC, 3-prong plug (Optional) P277 277VAC, 3-prong plug (Optional) PW1 AC Power Quick Disconnect (Optional)	S120 S208-277 S347-480

Accessories

PSC5-10W1	Power Starter Cable, 5-Conductor, 10-foot, female connector + flying leads needed for power input to first fixture
PSC5-10W1P120	Power Starter Cable, 5-Conductor, 10-foot, female connector + 120V Plug needed for power input to first fixture
PSC5-10W1P240	Power Starter Cable, 5-Conductor, 10-foot, female connector + 240V Plugs - NEMA 6-15P needed for power input to first fixture
PSC5-10W1P277	Power Starter Cable, 5-Conductor, 10-foot, female connector + 277V Plugs NEMA L7-15P needed for power input to first fixture
JC5-10W2	Jumper Cable, 5-Conductor, 10-foot, female connector + male connector needed for distance extension between fixtures

DIMENSIONS



888.857.3520
www.illumitex.com | www.illumitex.ca
customerservice@illumitex.com

ILLUMITEX[®]
 THE DIGITAL HORTICULTURE COMPANY